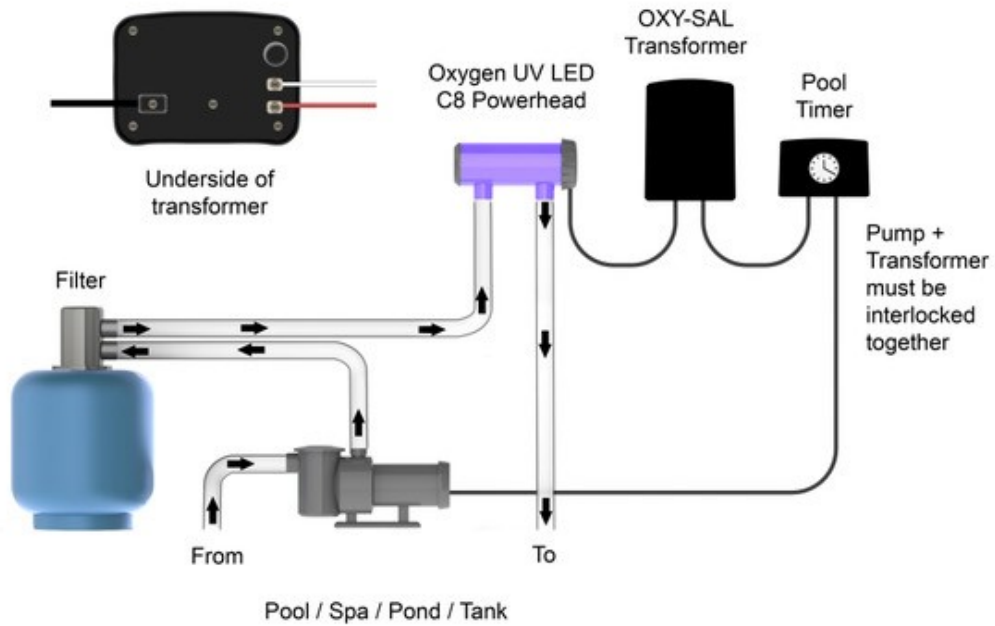
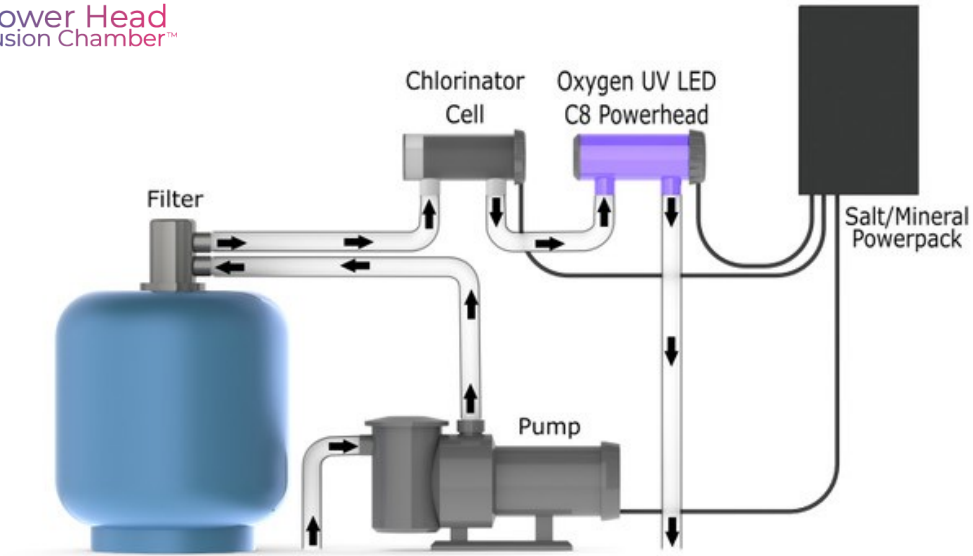


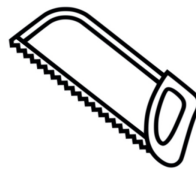
Instructions



Required Tools



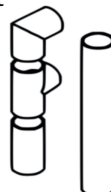
Drill with 7.0mm
Drill Bit



Hacksaw



No.2 Phillips
Head Screwdriver

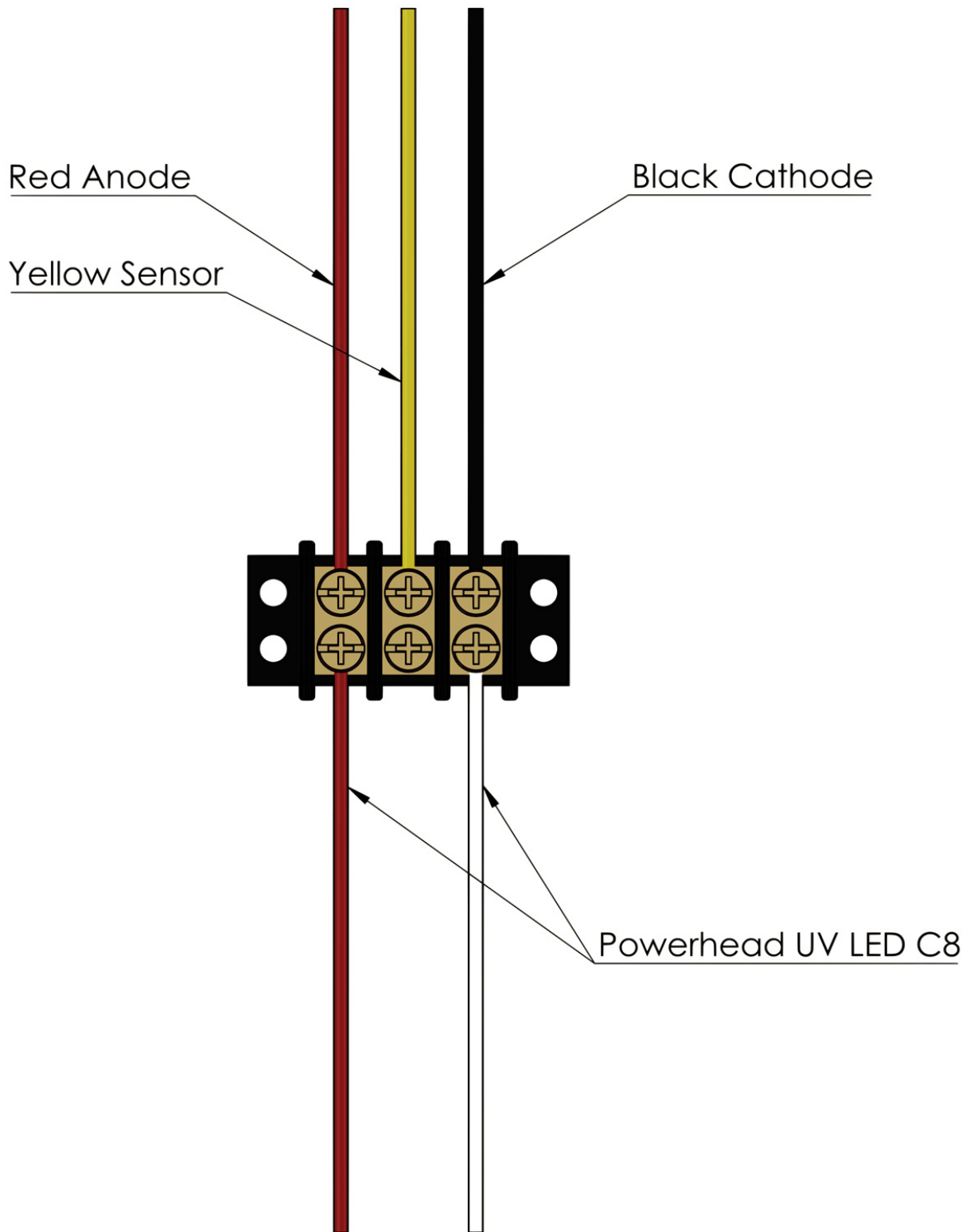


Basic PVC Fittings



PVC Glue and Brush

Wiring Diagram



OXY-SAL UVC 8 POWER HEAD

INSTALLATION MANUAL FOR OXY-SAL UVC8 POWER HEAD FUSION CHAMBER (UVFC)

WARNING MAX DC POWER PACK VOLTAGE

Maximum out put
Series 4

voltage 5 vdc – 10v dc
0-50 Amps DC 50/60 hz
Series 8

Voltage 5vdc-30 vdc
0-50 Amps DC 50/60hz

FILTRATION & WATER TREATMENT

DE/Sand/Cartridge
You **MUST** have
installed a Salt Water
Chlorinator or Mineral
Salt Chlorinator System
with a GPH from 5 gph-
50 gph in good working
condition.

UV FUSION CHAMBER INSTALLATION (UVFC)

1: THE UVFC CHAMBER MUST BE INSTALLED AS PER ATTACHED
DIAGRAM. AFTER ALL MINERAL/SALT/ CELLS. (WE ADVISE THIS
IS TO BE DONE BY YOUR LOCAL POOL SERVICE MAN.

2: CONNECT THE RED AND BLACK WIRES TO POWER PACK CELL
DC OUTPUT. (YOU MAY HAVE TO CUT OFF TERMINALS AND
RESOLDER ENDS) DO NOT CONNECT TO THE SENSOR WIRE.

MAINTANCE OF OXY-SAL UV POWER HEAD FUSION CHAMBER

SWITCH OFF ALL POWER TO POWER PACK,AND
FILTER.

A: Due to scale and calcium in the swimming pool
water, the UVFC Power Head should be removed and
check once every 6 months.

B: To Clean, the 8 UV LEDS use **ONLY** warm water &
dishwashing liquid, with a soft sponge. Clean around
the UV LEDS and then rinse with cold water.

DO NOT USE ANY SHARP or ABRASIVE MATERIAL.
This will damage the UV LEDS.



SALES@SALCHLOR.COM



OXY-SAL UV SYSTEMS
PO BOX 1976 NEW FARM
QLD BRISBANE
AUSTRALIA 4005
0456666867

